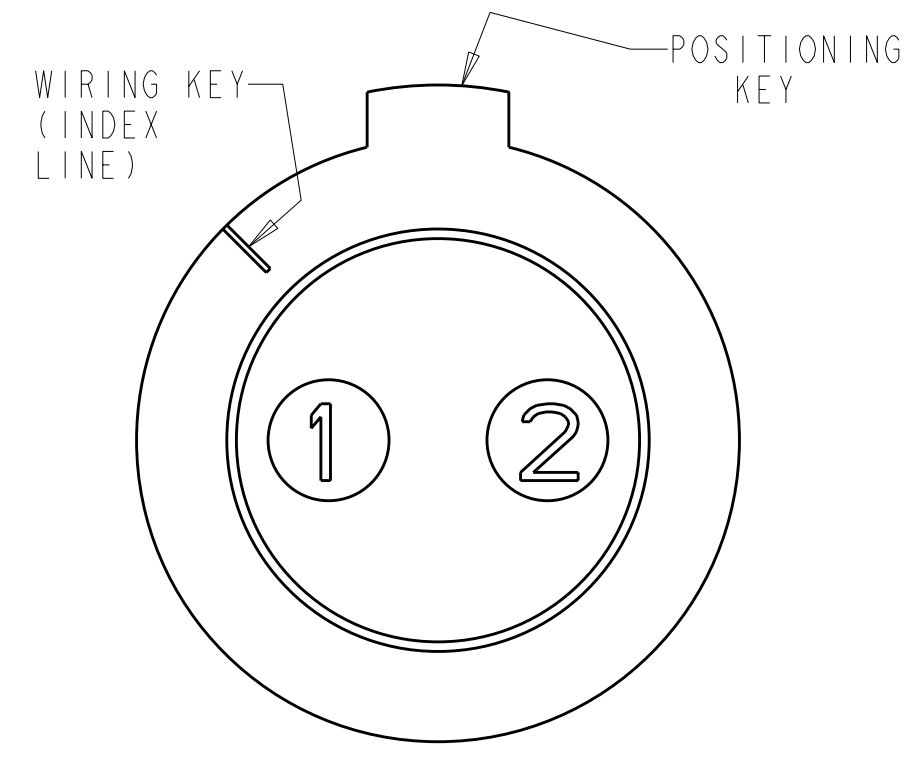
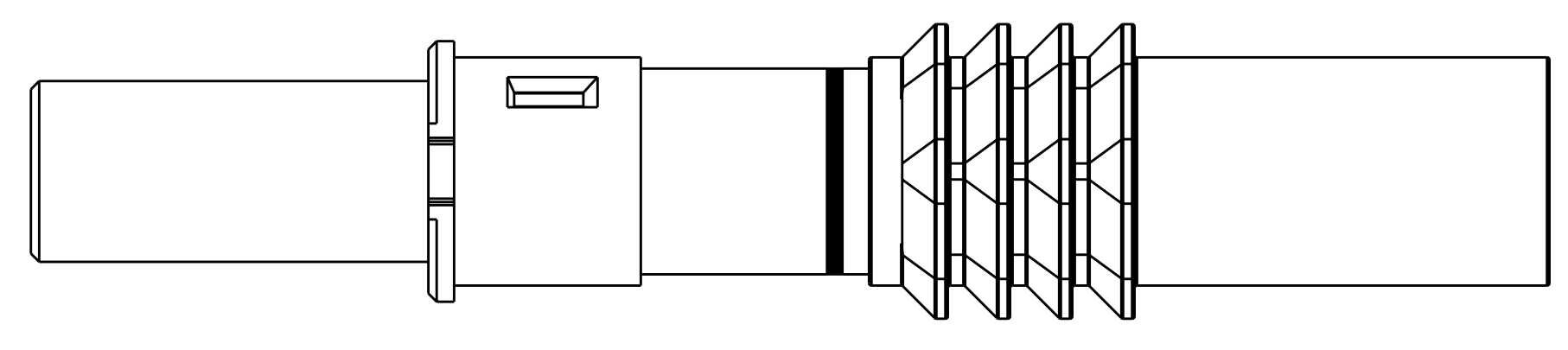
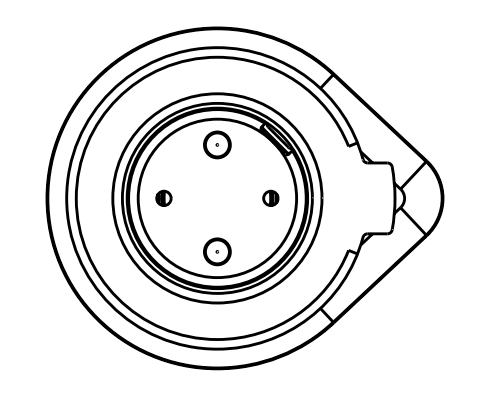


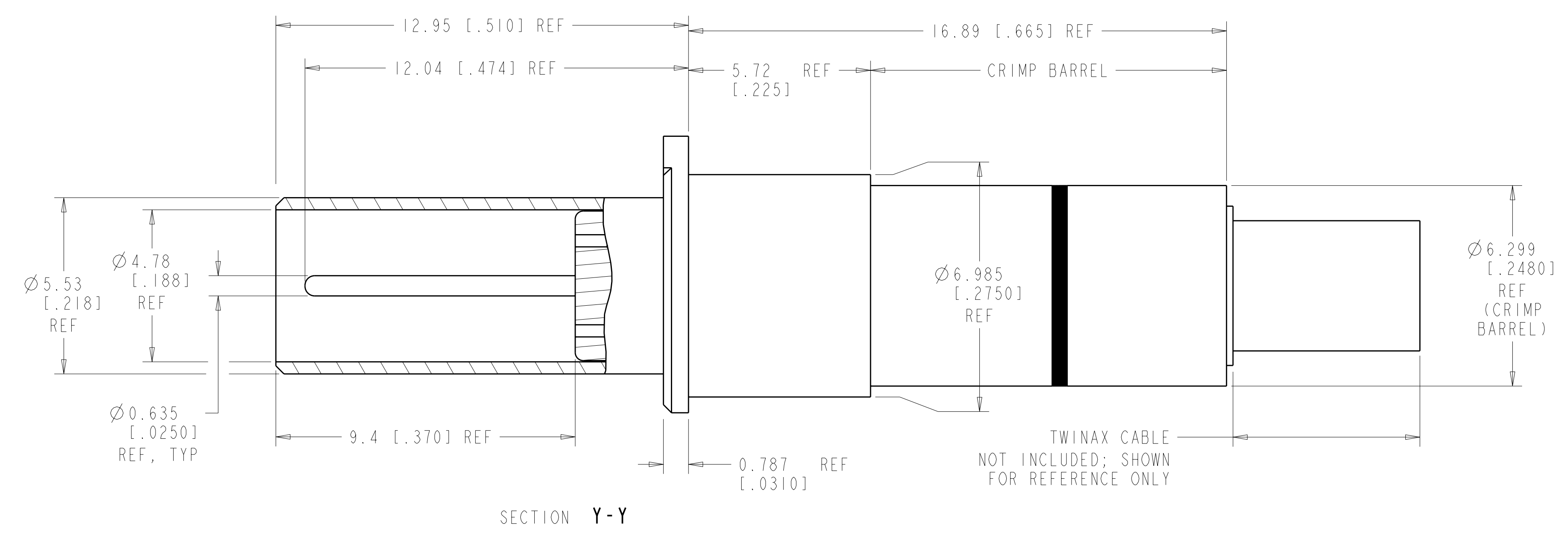
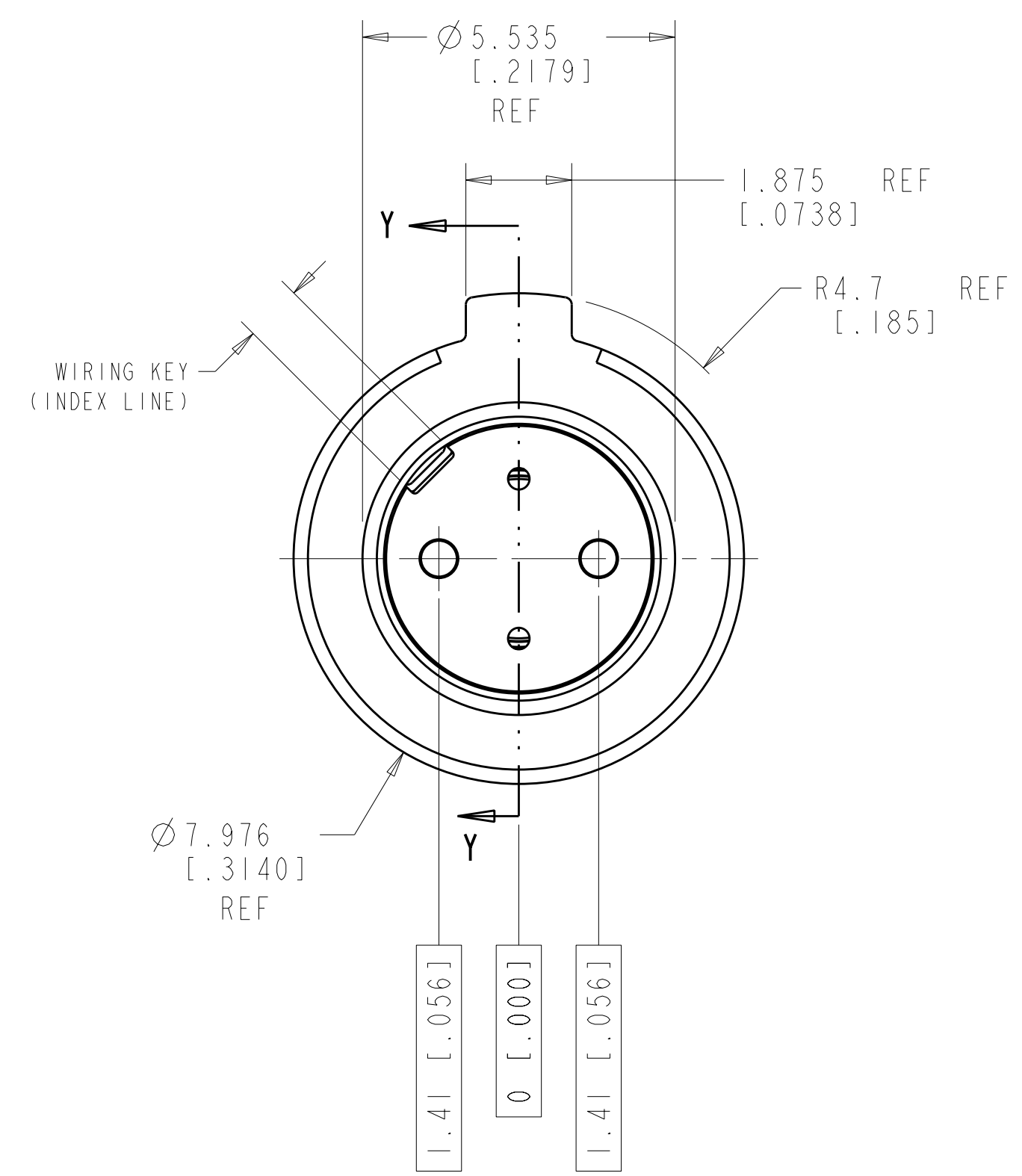
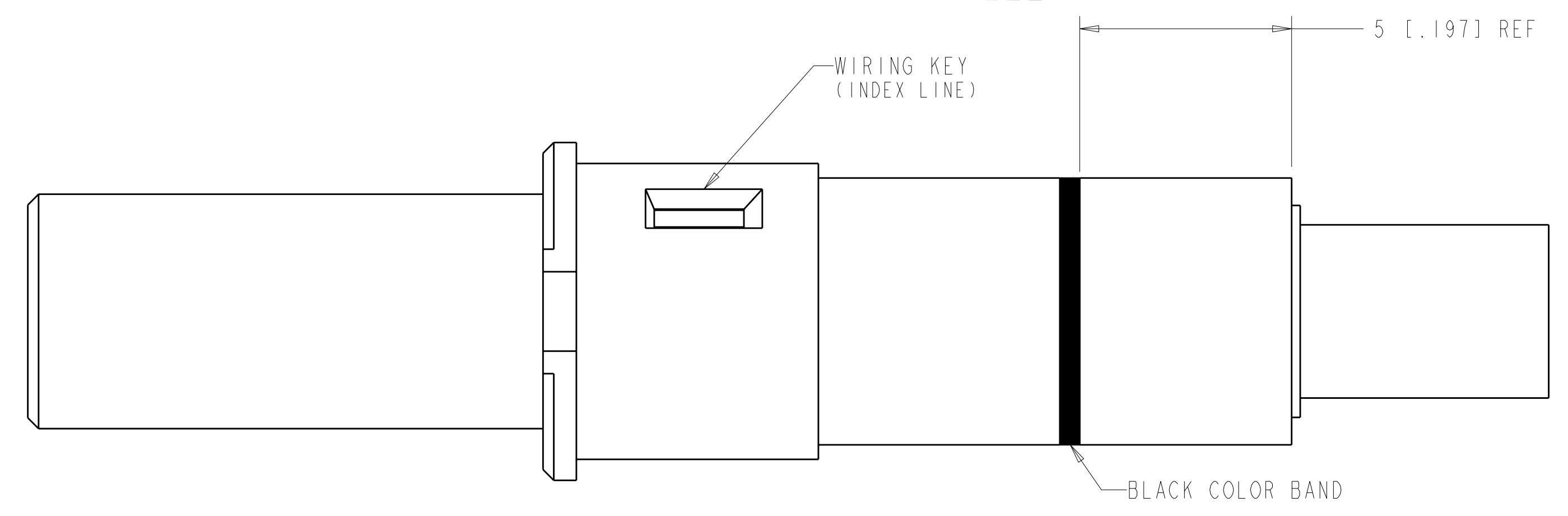
REV	DATE	BY	CHK	APPV	DESCRIPTION
2	10MAY05	BH			REVISE
3	19JUN06	JRE			ADD KITS -3 AND -4 FOR CAN APP.
4	17MAY2007	DF			120 ohms was 117 ohms
5	14AUG2007	DF			ADDED VALIDATION NOTE



**CONTACT CAVITY NUMBERING
 STANDARD CAVITY NUMBER ASSIGNMENT**



1811865-2/-4 TWINAX (FIG.2)
 PIN ASSY WITH WIRE SEAL
 SCALE 5:1



**THIS PRODUCT
 HAS NOT
 COMPLETED
 VALIDATION
 TESTING**

- COMPONENTS ARE PACKAGED IN KIT FORM. CABLE MUST BE PURCHASED SEPARATELY.
- USE INSERTION-EXTRACTION TOOL 1738196-1.

P/N:	RECOMMENDED RAYCHEM CABLE	DESCRIPTION	PART NO.
1726A1424 ; (120 ohms, 26 AWG)	AS SHOWN (FIG.2); WITH WIRE SEAL	1811865-4	
1726A1424 ; (120 ohms, 26 AWG)	AS SHOWN; WITHOUT WIRE SEAL	1811865-3	
0024T1426 ; (100 ohms, 24 AWG)	AS SHOWN (FIG.2); WITH WIRE SEAL	1811865-2	
0024T1426 ; (100 ohms, 24 AWG)	AS SHOWN; WITHOUT WIRE SEAL	1811865-1	

DIMENSIONS: mm [INCH]		TOLERANCES UNLESS OTHERWISE SPECIFIED: 9 PLC ±.01 1 PLC ±0.2 (.008) 5 PLC ±0.13 (.005) 4 PLC ±.051 (.002) ANGLES ±.1 FINISH -		DWN 14mar2005 CHY Brent D. Tohn APVD - NAME - PRODUCT SPEC - APPLICATION SPEC - WEIGHT - CUSTOMER DRAWING		Tyco Electronics Harrisburg, PA 17105-3608 ASSEMBLY, PIN, TWINAX, RR-RR, .218 HEX CRIMP SIZE CAGE CODE DRAWING NO RESTRICTED TO A 00779 C=1811865 - SCALE 5:1 SHEET 1 OF 1 REV 5	
--------------------------	--	---	--	--	--	--	--